

CASE STUDY ILIGAN CEMENT MILLS SILO PROJECT PHILIPPINES



Project Participants

Owner	Republic Cement Iligan Inc.
Client	Republic Cement Iligan Inc.
Silo Contractor	BEC Specialist Philippines Inc.
Employer's Representatives	AECOM Philippines Inc.

SILO CONSTRUCTION

ILIGAN CEMENT MILLS SILO
PROJECT, PHILIPPINES



Republic Cement Iligan Inc. are increasing the cement production capacity at their Iligan Plant. BEC was appointed as the contractor for construction of the dual cell silo.

Iligan Cement Mills Silo Project, Philippines

Republic Cement Iligan, Inc is owned by Republic Cement Group. The company is improving clinker and cement capacity at its plants in Teresa and Batangan and cement production in Iligan. Iligan Cement Mills Silo Project is part of their investment activities geared towards ensuring a stable supply of construction materials to support the Philippine government's 'Build, Build, Build' campaign. Their goal is to help build a stronger Republic.

Detail of work by BEC

BEC was awarded the construction of the 20.7m OD x 52.575m high dual-wall silo including slipform of the external and internal walls, construction of the inner cone and slab, installation of roof beams and concrete roof construction.

Challenges

- Slip-forming of dual walls concurrently
- Reinforced Concrete Cone Construction
- Tight timeline



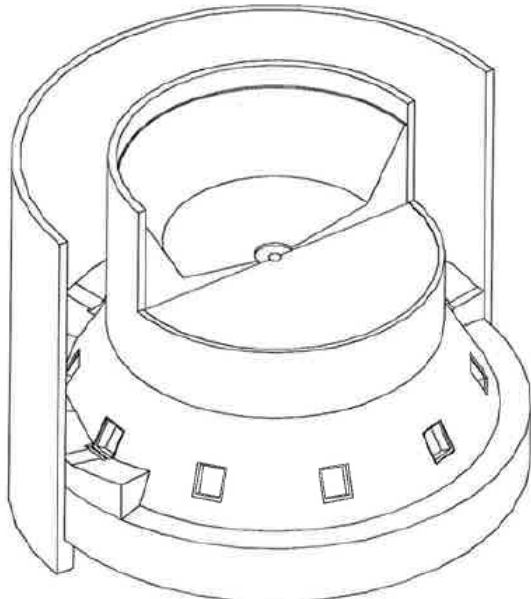
BEC Group of Companies
c/o 18 Boon Lay Way
#10-159/162
TradeHub 21
Singapore 609966

Tel: +65 6778 6858
Fax: + (65) 6690 9259
Website: www.be-con.com
Email: sales@be-con.com



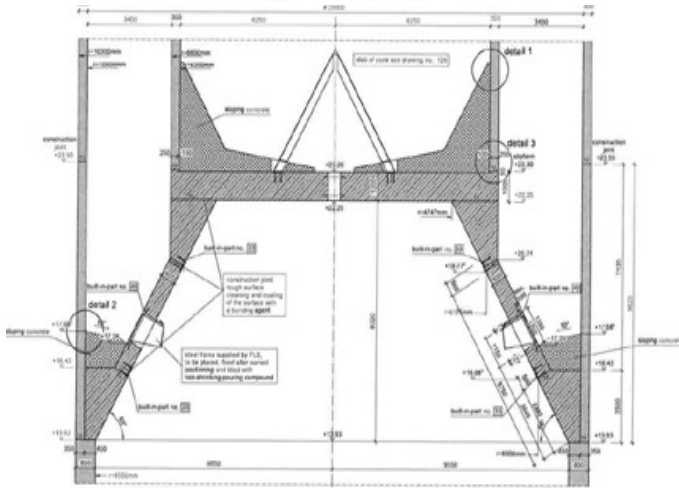
ILIGAN CEMENT MILLS SILO, PHILIPPINES

Silo elevation

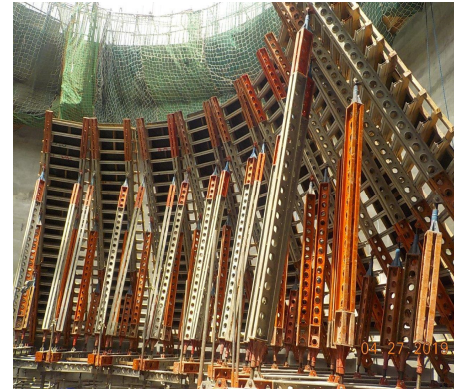


isometric view

Silo Data	
Silo Wall Height	52.575m
Silo Outer Diameter	20.7m diameter
Silo Wall Thickness	800mm~350mm
Internal Silo Wall Height	27.59m
Internal Silo Outer Diameter	13.2m diameter
Internal Silo Wal Thickness	350mm



Section View



Formwork and falsework erection



Dual Walls Silo



Construction of Internal Silo Cone



Roof Beams Installation



Slip-forming of silo wall